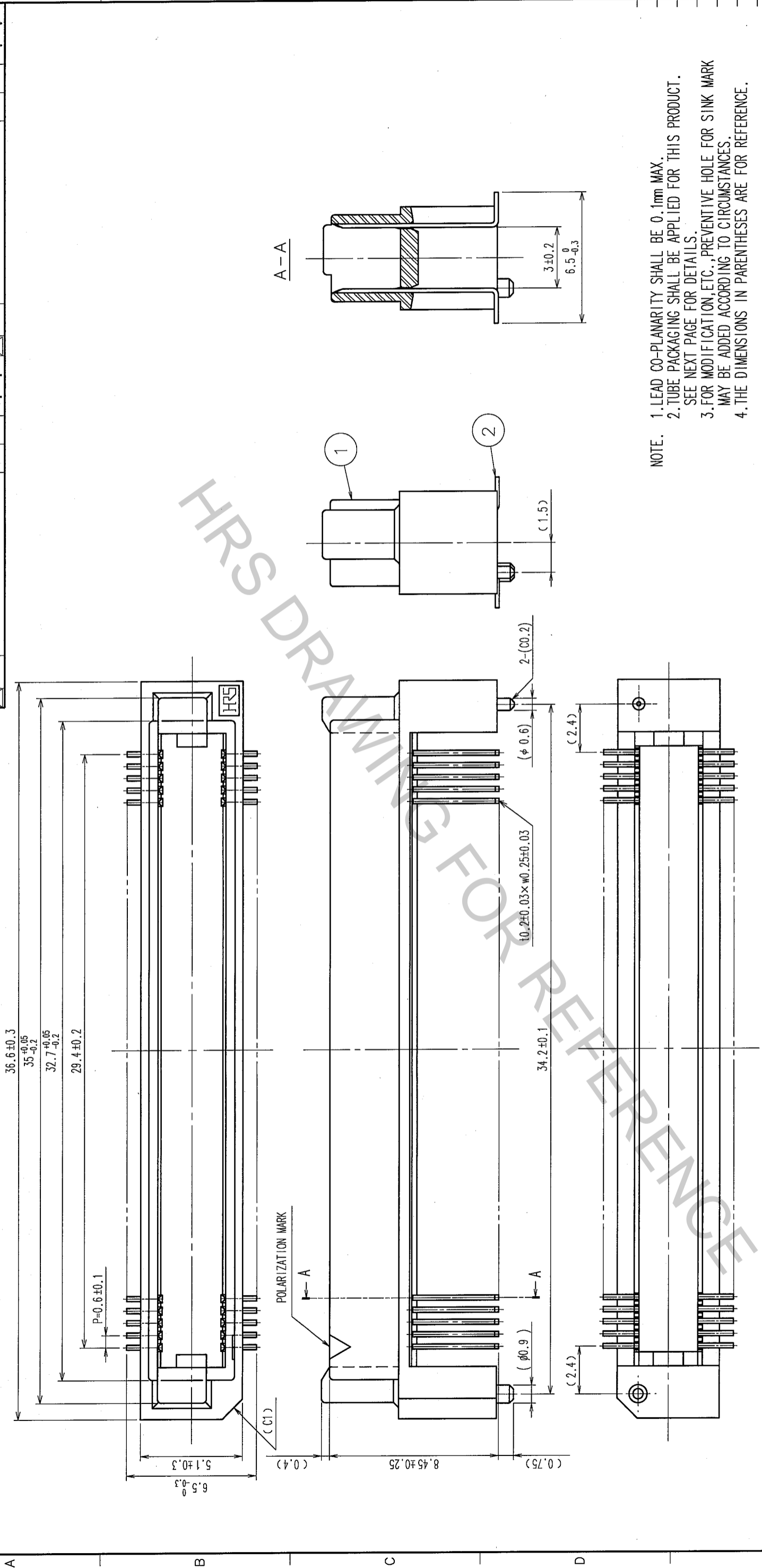
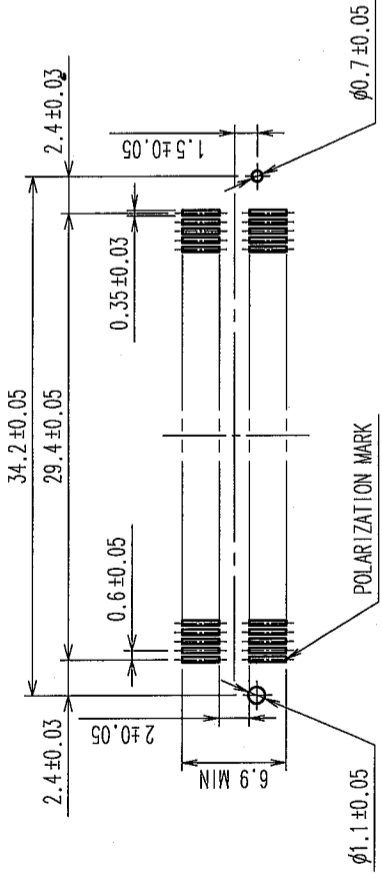


COUNT	DESCRIPTION OF REVISIONS	BY	CHKD	DATE	COUNT	DESCRIPTION OF REVISIONS	BY	CHKD	DATE
△					△				
△					△				
△					△				



NOTE.  
 1. LEAD CO-PLANARITY SHALL BE 0.1mm MAX.  
 2. TUBE PACKAGING SHALL BE APPLIED FOR THIS PRODUCT.  
 SEE NEXT PAGE FOR DETAILS.  
 3. FOR MODIFICATION, ETC., PREVENTIVE HOLE FOR SINK MARK MAY BE ADDED ACCORDING TO CIRCUMSTANCES.  
 4. THE DIMENSIONS IN PARENTHESES ARE FOR REFERENCE.

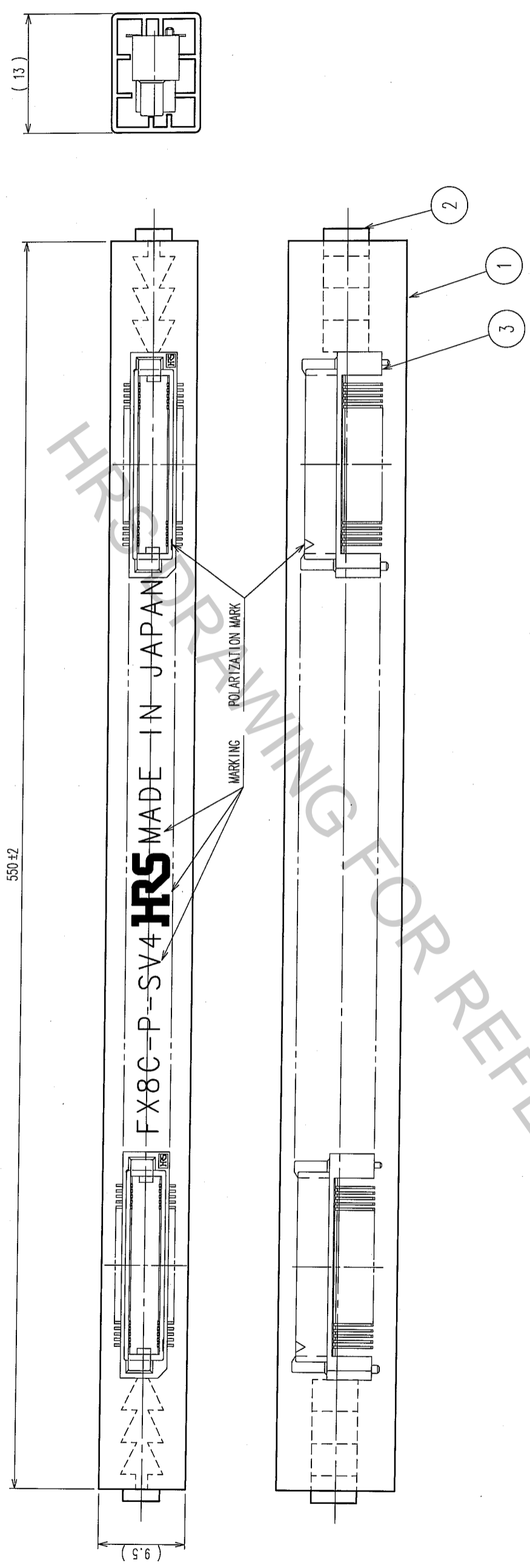
RECOMMENDED LAND PATTERN DIMENSION OF PCB (MOUNTING SIDE) (2:1)



NO.	MATERIAL	FINISH, REMARKS	DRAWN	DESIGNED	CHECKED	APPROVED	RELEASED
1	PPS	LIGHT BROWN (UL94V-0)	2	PHOSPHOR BRONZE			
NO. MATERIAL		FINISH, REMARKS	NO.	MATERIAL	DESIGNED	CHECKED	APPROVED
CODE NO. (OLD)							
CL							
K.NAKAMURA							
05.12.12							
05.12.12							
05.12.12							
CONTACT AREA: GOLD 0.1μm min.							
LEAD AREA: TIN-PLATING 1μm min.							
UNDER PLATING: NICKEL 1μm min.							
FINISH, REMARKS							
DRAWING NO.		PART NO.					
EDC3-150863-21		FX8C-100P-SV4(91)					
SCALE		CODE NO.					
5:1		CL578-0585-9-91					
UNITS		mm					
HRS		HIROSE ELECTRIC CO., LTD.					
		FORM NO. 229					

TO	
PCK	

1	2	3	4	5	6	7	8	
DESCRIPTION OF REVISIONS	BY	CHKD	DATE	COUNT	DESCRIPTION OF REVISIONS	BY	CHKD	DATE



NOTE 1. 1 TUBE : 14 CONNECTORS.  
 2. THE DIMENSIONS IN PARENTHESES ARE FOR REFERENCE.

2 POLYVINYL CHLORIDE (STOPPER)		3 (CONNECTOR)			
NO.	MATERIAL	FINISH, REMARKS	NO.	MATERIAL	FINISH, REMARKS
1	POLYVINYL CHLORIDE	(TUBE)	1	POLYVINYL CHLORIDE	(CONNECTOR)
CODE NO. (OLD)		CL	DRAWN		DESIGNED
CL			K. NAKAMURA		K. NAKAMURA
			05.12.12		05.12.12
			05.12.12		05.12.12
			05.12.12		05.12.12
DRAWING NO.		EDC3-150863-21	PART NO.		FX8C-100P-SV4(91)
SCALE		FREE	CODE NO.		CL578-0585-9-91
UNITS		mm	HIROSE ELECTRIC CO., LTD		

TO	
PCK	