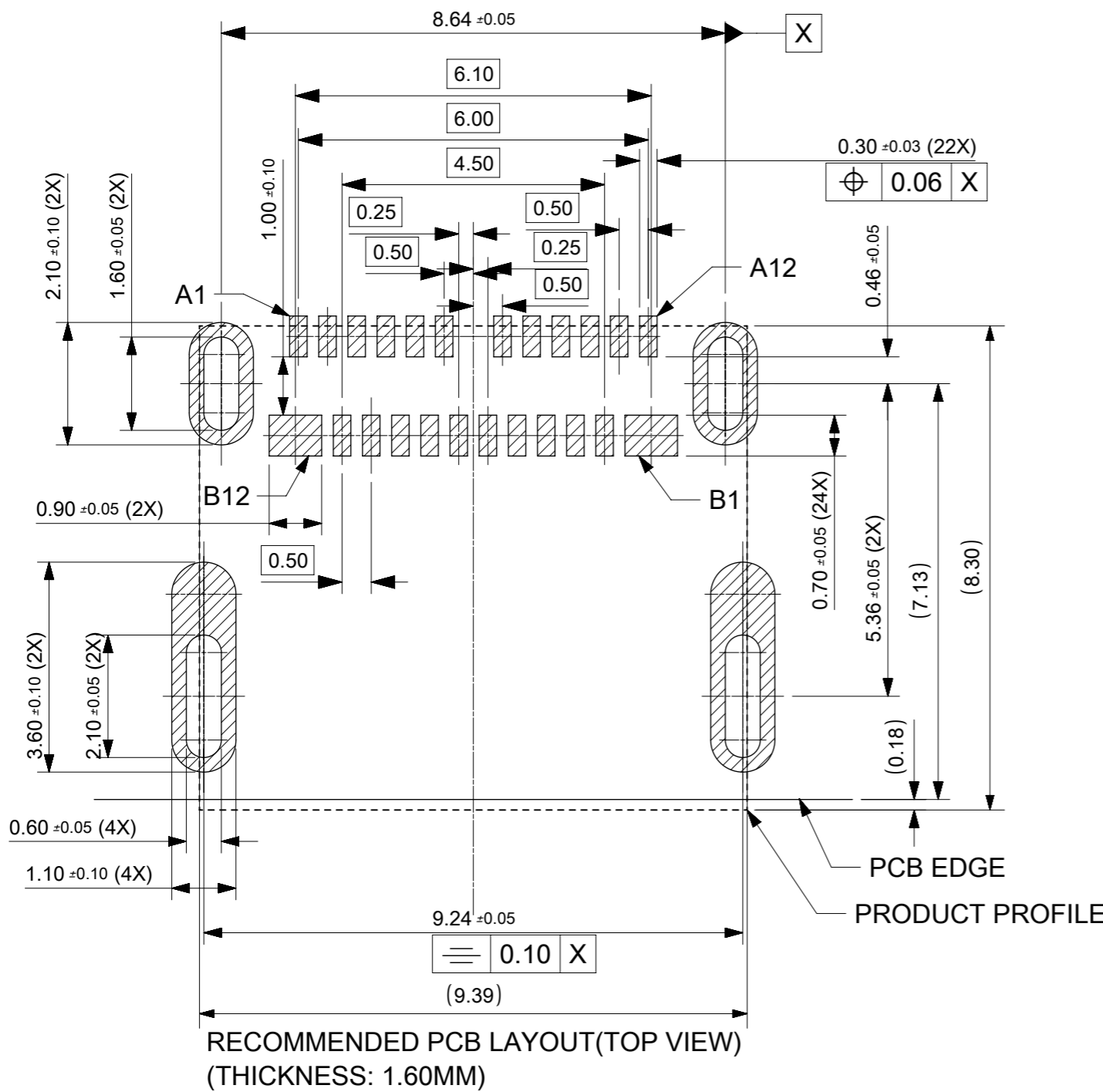


PART NO.	PLATING DESCRIPTION
2012670005	SEE NOTES 2(1) FOR CONTACT AREA
2012670105	SEE NOTES 2(2) FOR CONTACT AREA

THIS DRAWING CONTAINS INFORMATION THAT IS PROPRIETARY TO MOLEX ELECTRONIC TECHNOLOGIES, LLC AND SHOULD NOT BE USED WITHOUT WRITTEN PERMISSION

RELEASED 2017/02/08 2017/03/09	EC NO: 113145	GENERAL TOLERANCES (UNLESS SPECIFIED)	DIMENSION UNITS	SCALE	<b>molex</b> <sup>®</sup>				
	DRWN: FYANG05		MM	8:1					
	CHK'D: RZHANG		ANGULAR TOL ± 3.0 °	DRWN BY		DATE	USB C, RECEPTACLE, TOP MOUNT		
	APPR: RZHANG		4 PLACES ±	FYANG05		2016/12/20			
B	REV	DRAFT WHERE APPLICABLE MUST REMAIN WITHIN DIMENSIONS	2 PLACES ±	3 PLACES ±	PRODUCT CUSTOMER DRAWING				
	0 PLACES ±	1 PLACE ± 0.25	CHK'D BY	DATE					
	1 PLACE ± 0.25	2 PLACES ± 0.25	APPR BY	DATE	SERIES	MATERIAL NUMBER	CUSTOMER		
	2 PLACES ±	3 PLACES ±	RZHANG	2017/01/03	201267	SEE SHEET 1			
A3		DRAWING SIZE	THIRD ANGLE PROJECTION	DOCUMENT NUMBER			DOC TYPE	DOC PART	SHEET NUMBER
				2012670005			PSD	000	1 OF 2

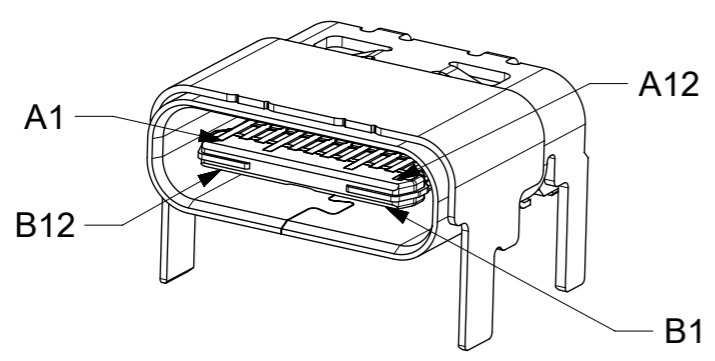


**NOTES:**

- MATERIAL,**  
 HOUSING: NYLON WITH GLASS FILLED, BLACK, UL94V-0.  
 TERMINALS: COPPER ALLOY  
 SHELL: STAINLESS STEEL;  
 OUTER SHELL: STAINLESS STEEL;  
 INNER SHELL: STAINLESS STEEL;  
 MIDDLE BLADE: STAINLESS STEEL;
- PLATING:**  
 TERMINAL: CONTACT AREA:  
 (1) 0.76 MICROMETER MIN. GOLD PLATING  
 (2) GOLD FLASH OVER 0.76 MICROMETER NIN PALLADIUM/NICKEL PLATING  
 SOLDER TAIL: 0.05 MICROMETER MIN. GOLD PLATING  
 UNDER PLATING: 2 MICROMETER MIN. NICKEL PLATING OVERALL  
 SHELL: 1 MICROMETR MIN. SOLDERABLE NICKEL PLATING OVERALL  
 INNER SHELL: CLEANING  
 MIDDLE BLADE: 2 MICROMETER MIN. TIN PLATING OVER THE SOLDER TAIL  
 AND 1 MICROMETER NICKEL PLATING OVERALL
- PRODUCT SPEC REFER TO PS-201267-001.
- PACKAGE SPEC REFER TO 201267005PDDPK1
- COPLANARITY OF SMT PINS SOLDER TAIL IS 0.10 MAX. BEFORE AND AFTER REFLOW
- T/H SOLDER TAIL POSITION BE CONTROLLED BY GAUGE
- LASER WELDING POINT FOR REFERENCE
- PRODUCT COMPLIANT TO ROHS DIERTIVE 2011/65/EU AND ELV DIRECTIVE 2000/53/EC
- DATE CODE: XX XX XX XX  
YEAR MONTH DATE HOUR

**PIN ASSIGNMENT FOR DIRECT CONNECT APPLICATIONS**

A1	A2	A3	A4	A5	A6	A7	A8	A9	A10	A11	A12
GND	TX1+	TX1-	VBUS	CC1	D+	D-	SUB1	VBUS	RX2-	RX2+	GND
GND	RX1+	RX1-	VBUS	SBU2	D-	D+	CC2	VBUS	TX2-	TX2+	GND
B12	B11	B10	B9	B8	B7	B6	B5	B4	B3	B2	B1



THIS DRAWING CONTAINS INFORMATION THAT IS PROPRIETARY TO MOLEX ELECTRONIC TECHNOLOGIES, LLC AND SHOULD NOT BE USED WITHOUT WRITTEN PERMISSION

RELEASED EC NO: 113145 DRWN: FYANG05 CHK'D: REV APPR: RZHANG	2017/02/08	2017/03/09	GENERAL TOLERANCES (UNLESS SPECIFIED)	DIMENSION UNITS	SCALE			
			ANGULAR TOL ± 3.0 °	MM	10:1			
			4 PLACES ±	DRWN BY	DATE		USB C, RECEPTACLE, TOP MOUNT	
			3 PLACES ±	FYANG05	2016/12/20			
		2 PLACES ± 0.25	CHK'D BY	DATE	PRODUCT CUSTOMER DRAWING			
		1 PLACE ± 0.25	RZHANG	2017/01/03				
		0 PLACES ±	APPR BY	DATE	SERIES	MATERIAL NUMBER	CUSTOMER	
		DRAFT WHERE APPLICABLE MUST REMAIN WITHIN DIMENSIONS	DRAWING SIZE	THIRD ANGLE PROJECTION	201267	SEE SHEET 1		
			A3		DOCUMENT NUMBER	DOC TYPE	DOC PART	SHEET NUMBER
					2012670005	PSD	000	2 OF 2