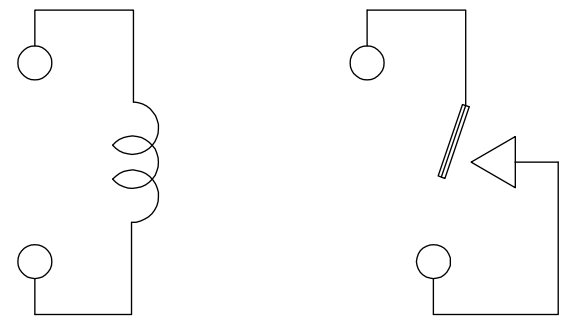
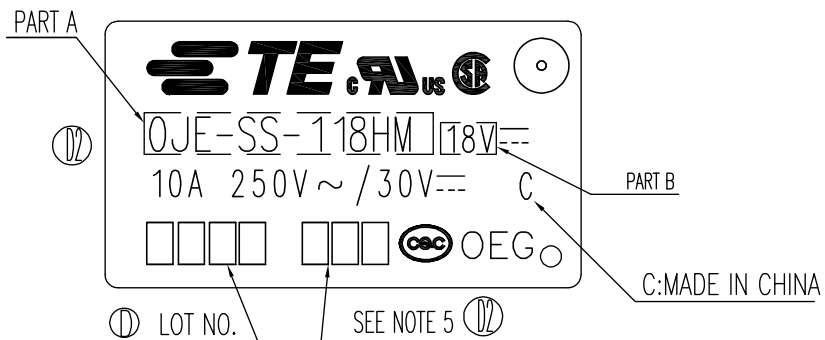


THIS DRAWING IS UNPUBLISHED. RELEASED FOR PUBLICATION  
 © COPYRIGHT - By - ALL RIGHTS RESERVED.

LOC	DIST	REVISIONS					
HB	-	P	LTR	DESCRIPTION	DATE	DWN	APVD
			D1	ADD 18V TYPE ECP-10-011636	20May2010	HYS	YBH
			D2	CHANGE LOGO&ADD LINE IDENTIFICATION ECO-12-001771	20Aug2012	HYS	YBH



CONNECTION FIGURE

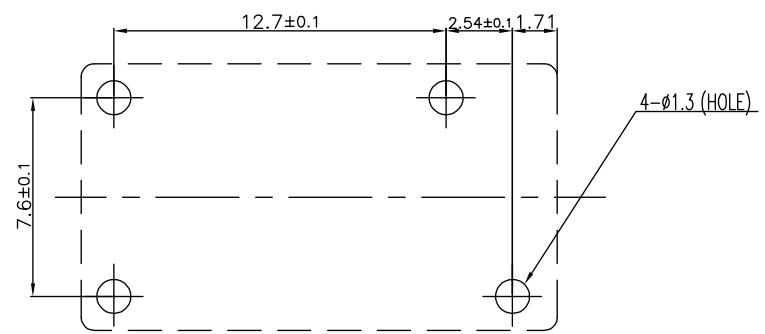
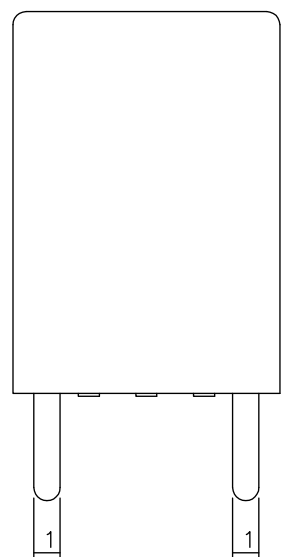
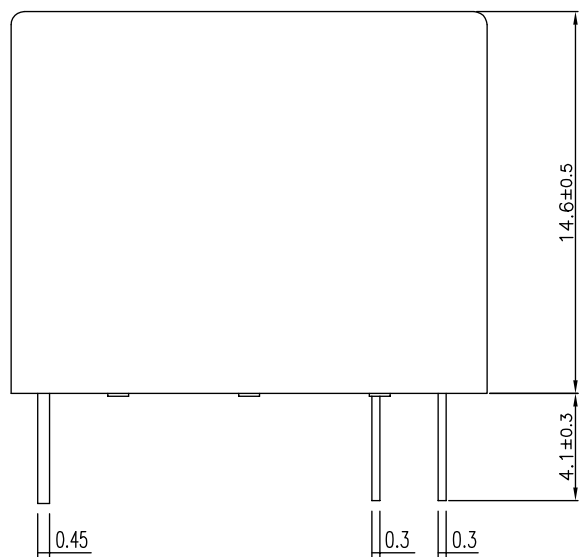
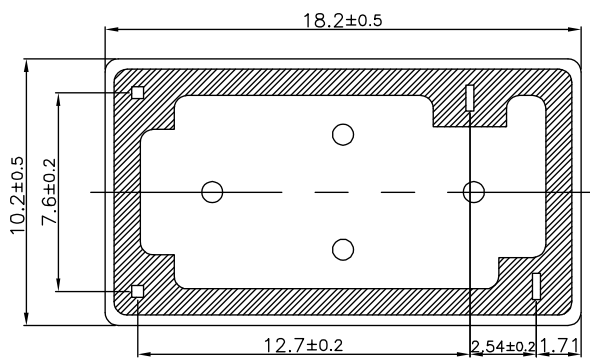


FIGURE FOR PRINTED CIRCUIT BOARD PROCESSING (BOTTOM VIEW)

Diagram dimension	Tolerance
0.99mm max.	±0.1mm
1 - 2.99mm	±0.2mm
3mm min.	±0.3mm



THIS DRAWING IS A CONTROLLED DOCUMENT.		DWN	H.SASAKI		TE Connectivity
DIMENSIONS: mm		CHK	Y.OIKAWA		
TOLERANCES UNLESS OTHERWISE SPECIFIED:		APVD	A.NAGAI		NAME
0 PLC ± -		PRODUCT SPEC	SEE SPEC TABLE		OJ-SS-HM CUSTOMER DRAWING
1 PLC ± -		APPLICATION SPEC	-		RESTRICTED TO
2 PLC ± -		SIZE	A3	CAGE CODE	00779
3 PLC ± -		DRAWING NO	C=1461077		SCALE
4 PLC ± -		WEIGHT	-		5:1
ANGLES ± -		CUSTOMER DRAWING			SHEET
FINISH		-			1 of 2
MATERIAL		-			REV
-		-			D2

THIS DRAWING IS UNPUBLISHED. RELEASED FOR PUBLICATION  
 © COPYRIGHT - By - ALL RIGHTS RESERVED.

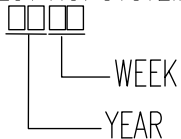
LOC	DIST	REVISIONS					
HB	-	P	LTR	DESCRIPTION	DATE	DWN	APVD
		-		SEE SHEET 1	-	-	-

1461077-6	OJ-SS-148HM	107-79010	48V	OJ-SS-148HM	h	
1440007-2	OJ-SS-124HM	107-79010	24V	OJ-SS-124HM	g	
1461077-5	OJ-SS-118HM	107-79010	18V	OJ-SS-118HM	f	Ⓞ
1419135-3	OJ-SS-112HM	107-79010	12V	OJ-SS-112HM	e	
1461077-4	OJ-SS-109HM	107-79010	9V	OJ-SS-109HM	d	Ⓞ
1461077-3	OJ-SS-106HM	107-79010	6V	OJ-SS-106HM	c	Ⓞ
1461077-2	OJ-SS-105HM	107-79010	5V	OJ-SS-105HM	b	
1461077-1	OJ-SS-103HM	107-79010	3V	OJ-SS-103HM	a	Ⓞ
TE PART NO	TE TYPE NAME	PACKAGE SPEC	PART B	PART A	TYPE	

RELAY TYPE

NOTE:

Ⓞ 1. LOT NO. SYSTEM AS FOLLOWING:



- Ⓞ 2. TERMINAL DIMENSION IS BEFORE SOLDER DIP;
- Ⓞ 3. FOR THE TIN-PLATING OF THE PINS:  
+0.1mm FOR WIDTH, THICKNESS AND DIAMETER.  
+0.5mm FOR LENGTH.
- Ⓞ 4. MARKING FROM INK TO LASER.

Ⓞ 5. ADD LOT NO. SYSTEM AS FOLLOWING;



- I, DIGITS FOR DAY OF THE WEEK  
1...MONDAY IN THIS WEEK;  
2...TUESDAY IN THIS WEEK;  
.....  
7...SUNDAY IN THIS WEEK
- II, DIGITS FOR SHIFT OF THE DAY  
1...DAY SHIFT IN THIS DAY;  
2...NIGHT SHIFT IN THIS DAY;
- III, ONE CHARACTER DISTINGUISH THE LINE IDENTITY,  
SUCH AS: A,B.....Z

		EPOXY RESIN	SEAL (BASE & BOBBIN)	15
		3UEW	MAGNETIC WIRE	14
94V-0		P.B.T	CASE	13
94V-0		P.B.T	BASE	12
94V-0		P.B.T	BOBBIN	11
	SOLDER DIP	C.P WIRE	COIL TERMINAL	10
94V-0		P.P.S	CARD	9
		Ag ALLOY	MOVABLE CONTACT	8
		Ag	NO.CONTACT	7
		STEEL	HINGE SPRING	6
	SOLDER DIP	PBP	NO.TERMINAL	5
	SOLDER DIP	Cu ALLOY	MOVABLE SPRING	4
	NIP	STEEL	CORE	3
	NIP	STEEL	ARMATURE	2
	NIP	STEEL	YOKE	1
INCOMBUSTIBILITY	TREATMENT	MATERIAL	DESCRIPTION	ITEM

THIS DRAWING IS A CONTROLLED DOCUMENT.		DWN	H.SASAKI	
DIMENSIONS: mm		CHK	Y.OIKAWA	
TOLERANCES UNLESS OTHERWISE SPECIFIED:		APVD	A.NAGAI	
0 PLC ± -		PRODUCT SPEC	SEE SPEC TABLE	
1 PLC ± -		APPLICATION SPEC	-	
2 PLC ± -		WEIGHT	-	
3 PLC ± -		SIZE	A3	CAGE CODE
4 PLC ± -		DRAWING NO	G=1461077	
ANGLES ± -		RESTRICTED TO	-	
FINISH		SCALE	5:1	
-		SHEET	2 of 2	
-		REV	D2	



OJ-SS-HM CUSTOMER DRAWING