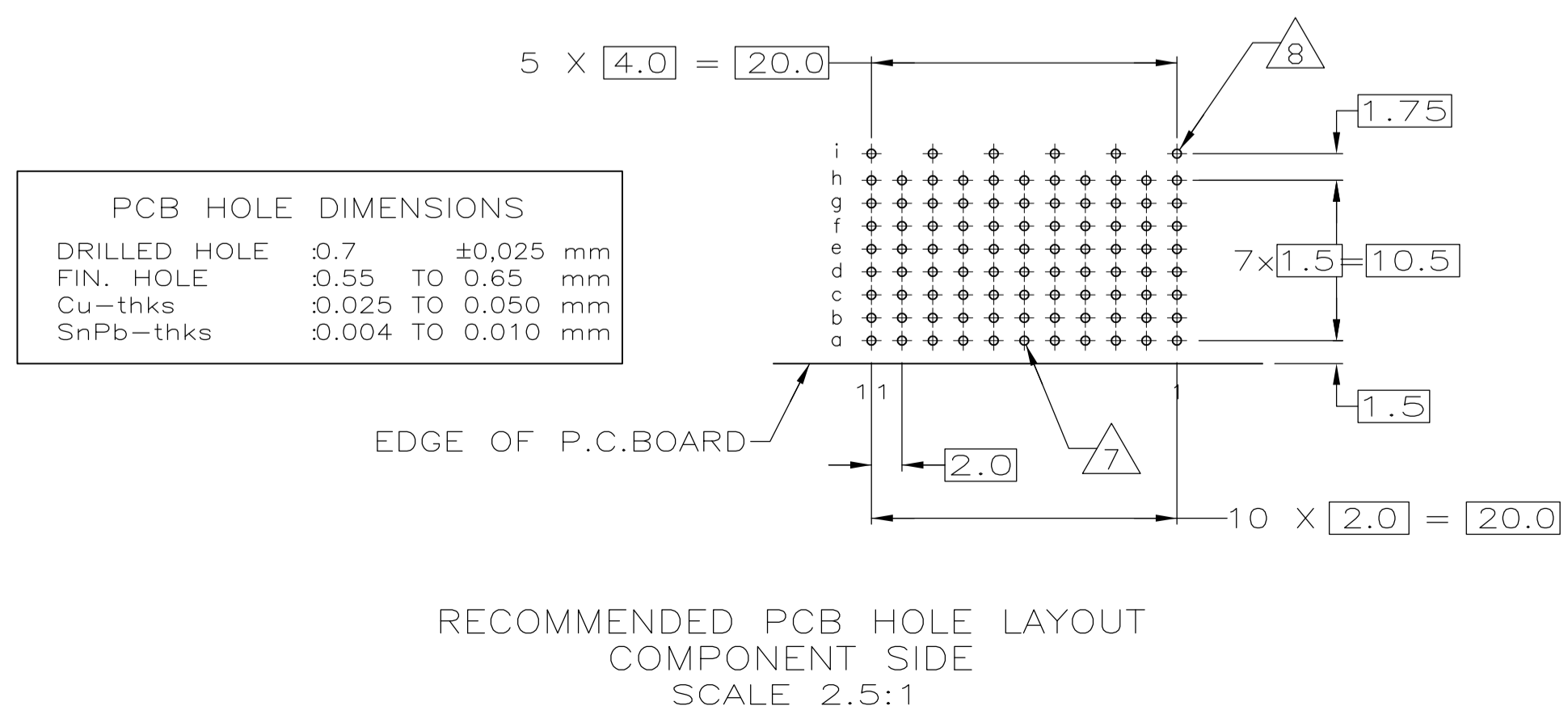
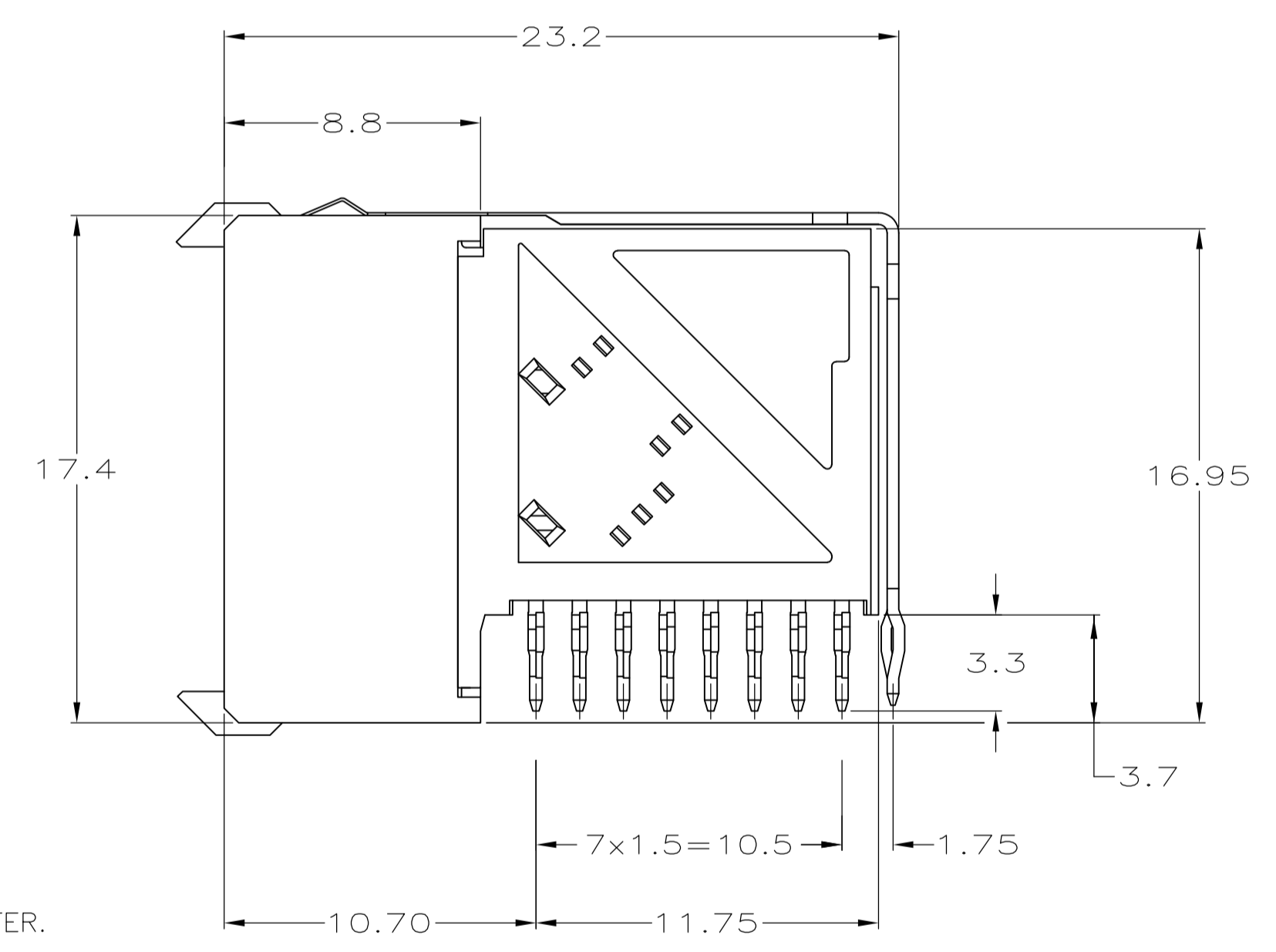
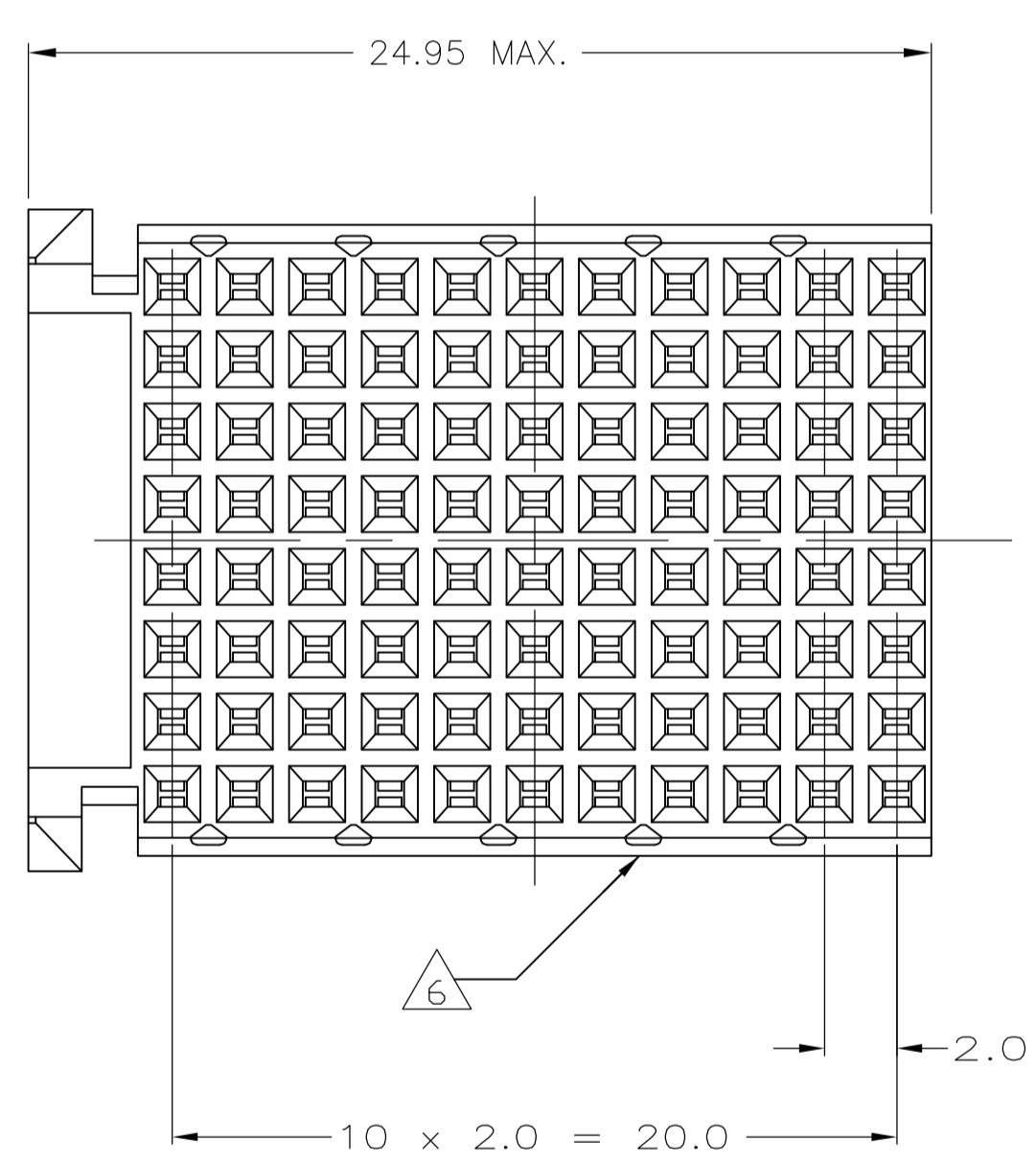
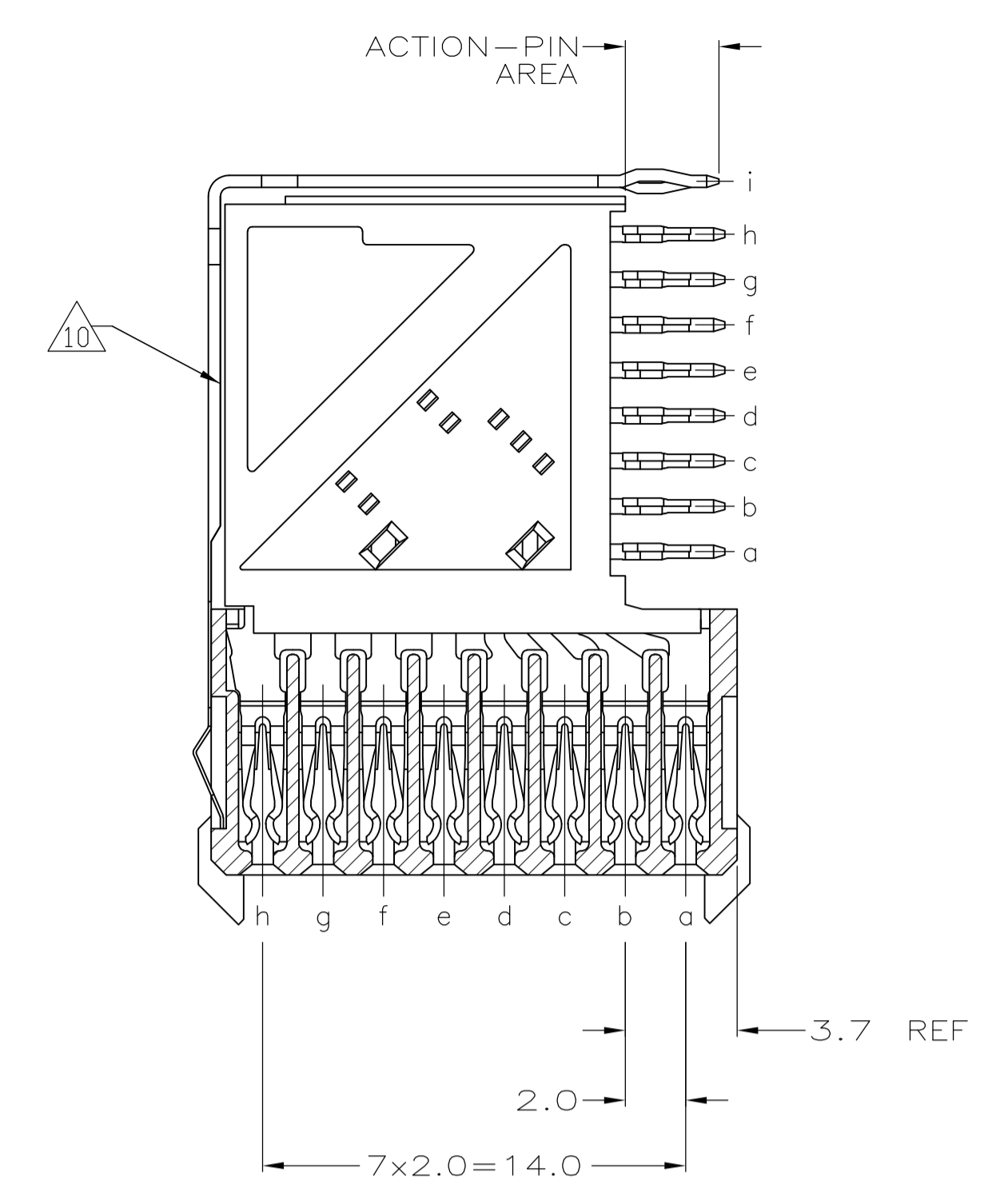
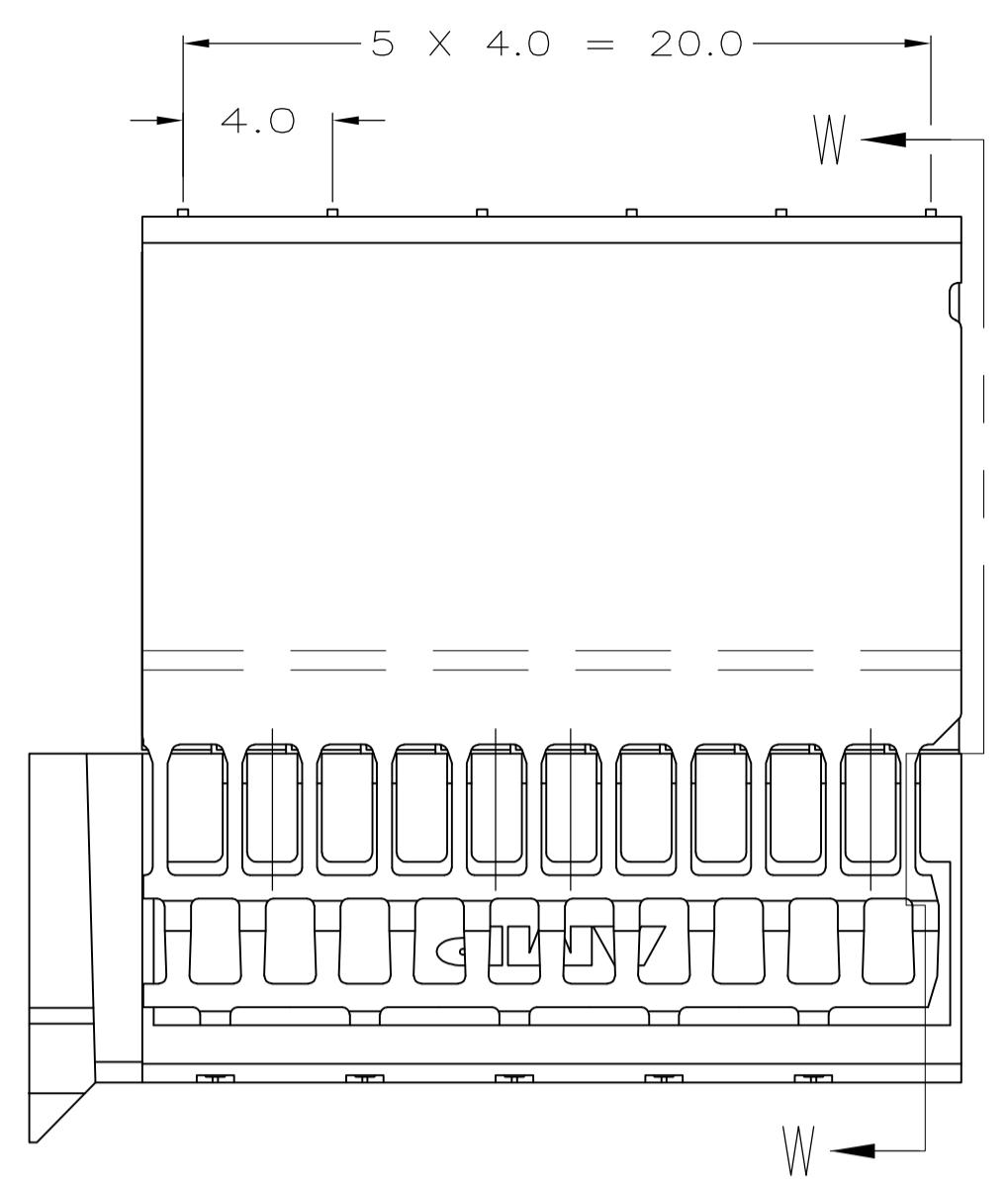


| LOC |     | DIST                      |         | REVISIONS |      |    |     |
|-----|-----|---------------------------|---------|-----------|------|----|-----|
| P   | LTR | DESCRIPTION               | DATE    | DMN       | APVD | SY | MOJ |
| D   |     | REVISED PER ECO-11-004037 | 23FEB11 | RC        | CW   |    |     |
| E   |     | ECO-11-024491             | 13DEC11 | SY        | MOJ  |    |     |



- 1 MATERIAL:  
CONTACT: PHOSPHOR BRONZE.  
HOUSING: GLASS-FILLED POLYESTER.
- 2 GENERAL PLATING SPECIFICATION: UNDERPLATING  
(ENTIRE CONTACT): 1.27µm MIN NICKEL AND ACTION  
PIN: 0.5µm MIN TIN.  
FOR PLATING OF MATING SURFACES SEE APPLICABLE  
SPECIFICATION REFERENCE FOR EACH DASH NUMBER.
- 3 CONFORMS TO ALL TESTING ACCORDING TO IEC 61076-4-101  
PERFORMANCE LEVEL 2.
- 4 CONNECTOR TESTED AND QUALIFIED AGAINST TELCORDIA GR-1217-CORE QUALITY LEVEL 3,  
CENTRAL OFFICE APPLICATIONS.
- 5 CONNECTOR TESTED AND QUALIFIED AGAINST TELCORDIA GR-1217-CORE QUALITY LEVEL 3,  
UNCONTROLLED ENVIROMENT APPLICATIONS.
- 6 CONNECTOR MARKED WITH PART NUMBER AND DATE CODE.  
ADDITIONAL CHARACTERS OR MARKINGS, AS WELL AS THE LOCATION OF THE MARKINGS,  
MAY BE ADDED FOR TRACEABILITY BASED UPON MANUFACTURERS DISCRETION.
- 7 PLATED-THROUGH HOLES AT 2x1.5mm GRID  
88 TOTAL HOLES.
- 8 ROW "i" 6 PLATED THROUGH HOLES FOR UPPERSHIELD.
- 9 CONNECTOR & SHIELD LUBRICATED WITH BELCORE APPROVED LUBRICANT,  
TECHNICAL REFERENCE: TR-NWT-001217 ISSUE 1, SEP 1992.
- 10 SHIELD MOUNTED ON CONNECTOR WITH DOUBLE SIDED ADHESIVE TAPE  
OR ADHESIVE.

|          |        |             |
|----------|--------|-------------|
| OBSOLETE | 2 5 9  | 1-5646492-9 |
| OBSOLETE | 2 4 9  | 5646492-9   |
|          | 2 3    | 5646492-1   |
|          | FINISH | PART NUMBER |

THIS DRAWING IS A CONTROLLED DOCUMENT.

|                  |  |                         |                    |  |
|------------------|--|-------------------------|--------------------|--|
| DIMENSIONS: mm   | TOLERANCES UNLESS OTHERWISE SPECIFIED: | DIN B CARBO 28JUL05     | G. SKIPPER 28JUL05 | Tyco Electronics Corporation Harrisburg, PA 17105-3608 |
| 0-PLC ±          | 1-PLC ±0.1                             | APVD G. SKIPPER 28JUL05 | NAME               | R/A RECEPTACLE ASSY, 88 POSN, TTR                      |
| 2-PLC ±          | 3-PLC ±                                | PRODUCT SPEC            | APPLICATION SPEC   | 8 ROW, TYPE F, Z-PACK 2mm HM                           |
| MATERIAL         | FINISH                                 | WEIGHT                  | SIZE               | CAGE CODE  |
| 1                | SEE TABLE                              |                         | A1                 | 00779  |
| CUSTOMER DRAWING |  | SCALE                   | SHEET              | REV  |
|                  |  | 5:1                     | 1 OF 1             | E  |