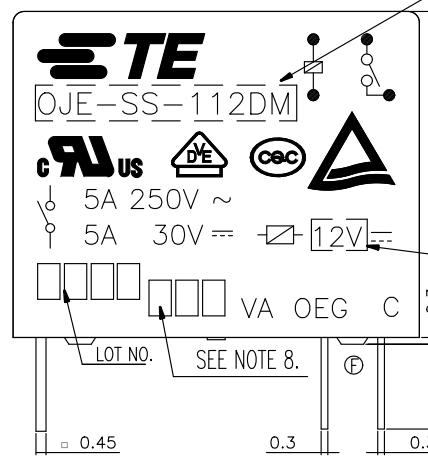


THIS DRAWING IS UNPUBLISHED. RELEASED FOR PUBLICATION  
 © COPYRIGHT - By - ALL RIGHTS RESERVED.

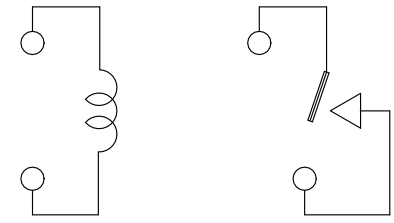
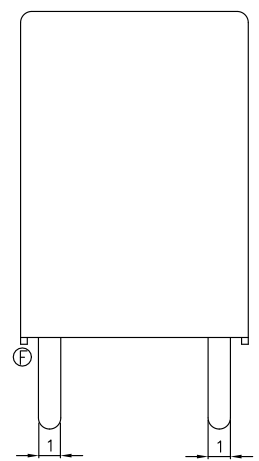
REVISIONS					
P	LTR	DESCRIPTION	DATE	DWN	APVD
F1		CHANGED PACKAGE AND DATA CODE FOR 1649222-1 ECO-17-008647	17-Jan-18	WQ.Y	K.T
F2		ADD NEW PNECO-18-008228	25-May-18	WQ.Y	K.T

FIG A



PART A

PART B



CONNECTION FIGURE

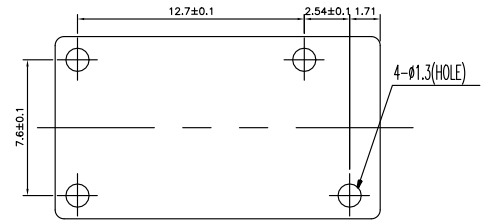


FIGURE FOR PRINTED CIRCUIT BOARD PROCESSING (BOTTOM VIEW)

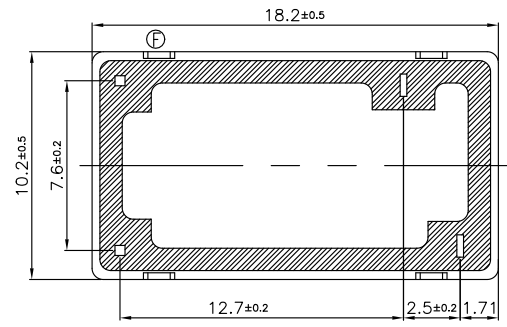


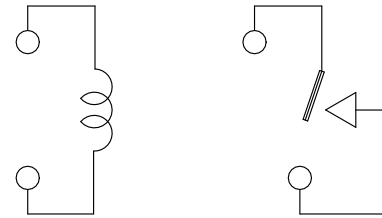
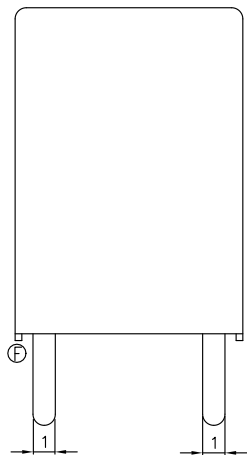
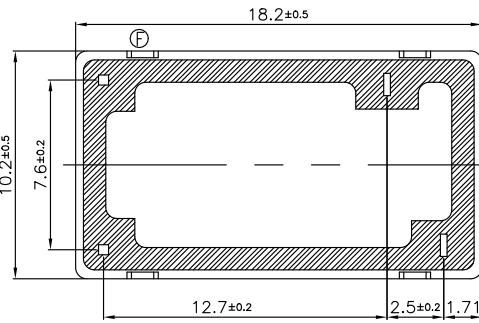
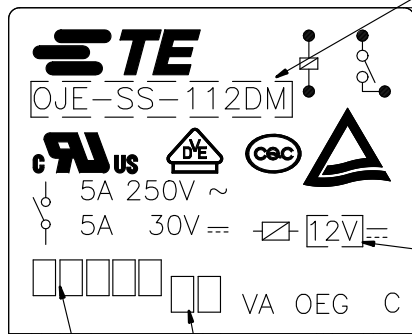
Diagram dimension	Tolerance
0.99mm max.	±0.1mm
1 - 2.99mm	±0.2mm
3mm min.	±0.3mm

THIS DRAWING IS A CONTROLLED DOCUMENT.		DWN Huang.Yunshou	TE Connectivity	
		CHK Fu.Be		
DIMENSIONS: mm		APVD Zhang.Sunny	NAME -	
TOLERANCES UNLESS OTHERWISE SPECIFIED: 0 PLC ± - 1 PLC ± - 2 PLC ± - 3 PLC ± - 4. PLC ANGLES ± -		PRODUCT SPEC -	OJE-DM VA TYPE CUSTOMER DRAWING	
MATERIAL -		FINISH -	APPLICATION SPEC -	RESTRICTED TO -
		WEIGHT -	SIZE A3	CAGE CODE 00779
		CUSTOMER DRAWING	DRAWING NO. C-1649222	SCALE 5:1
			SHEET 1 of 3	REV F2

THIS DRAWING IS UNPUBLISHED. RELEASED FOR PUBLICATION  
 © COPYRIGHT - By - ALL RIGHTS RESERVED.

REVISIONS					
P	LTR	DESCRIPTION	DATE	DWN	APVD
-	-	SEE SHEET 1	-	-	-

FIG B



CONNECTION FIGURE

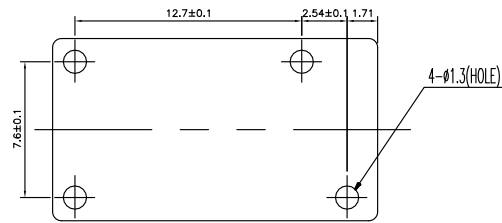


FIGURE FOR PRINTED CIRCUIT BOARD PROCESSING (BOTTOM VIEW)

Diagram dimension	Tolerance
0.99mm max.	±0.1mm
1 - 2.99mm	±0.2mm
3mm min.	±0.3mm

THIS DRAWING IS A CONTROLLED DOCUMENT.	
DIMENSIONS:	TOLERANCES UNLESS OTHERWISE SPECIFIED:
mm	
0 PLC	± -
1 PLC	± -
2 PLC	± -
3 PLC	± -
4 PLC	± -
ANGLES	± -
MATERIAL	FINISH
-	-

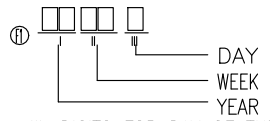
DWN	Huang.Yunshou	TE Connectivity	
CHK	Fu.Be	-	
APVD	Zhang.Sunny	-	
PRODUCT SPEC		OJE-DM VA TYPE CUSTOMER DRAWING	
APPLICATION SPEC		-	
SIZE	A3	CAGE CODE	00779
DRAWING NO	C-1649222		RESTRICTED TO
WEIGHT	-	SCALE	5:1
CUSTOMER DRAWING	SHEET	2 OF 3	REV F2

THIS DRAWING IS UNPUBLISHED. RELEASED FOR PUBLICATION  
 © COPYRIGHT - By - ALL RIGHTS RESERVED.

REVISIONS					
P	LTR	DESCRIPTION	DATE	DWN	APVD
-	-	SEE SHEET 1	-	-	-

FIG B

- PART "B" SHOULD FIT PART "A" AFTER CASE INSERTION PROCESS.
- NO SEALING MATERIAL DROP OUT BEYOND LINE "C"
- SEALING MATERIAL TO BE DROPPED IN HATCHED AREA AS SHOWN.
- LOT NO. SYSTEM AS FOLLOWING:



- III, DIGITS FOR DAY OF THE WEEK  
 1...MONDAY IN THIS WEEK;  
 2...TUESDAY IN THIS WEEK;  
 7...SUNDAY IN THIS WEEK

- TERMINAL DIMENSIONS BEFORE SOLDER DIP.
- FOR THE TIN-PLATING OF THE PINS: +0.1mm FOR WIDTH. THICKNESS AND DIAMETER +0.5mm FOR LENGTH.
- USED WELDED CONTACT & LASER MARKING.
- ADD LOT NO. SYSTEM AS FOLLOWING;

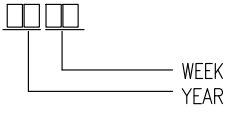


- I, DIGITS FOR SHIFT OF THE DAY  
 1...DAY SHIFT IN THIS DAY;  
 2...NIGHT SHIFT IN THIS DAY;  
 II, ONE CHARACTER DISTINGUISH THE LINE IDENTITY, SUCH AS: A,B.....Z

⑰	A	1649222-8	OJE-SH-112DM	12V	107-784031	OJE-SH-112DM,00B00	h
⑰	B	1649222-7	OJE-SS-112DM	12V	107-84031	OJE-SS-112DM,00000W	g
⑱	B	1649222-6	OJE-SS-112DM	12V	107-84031	OJE-SS-112DM,0A000	f
⑲		1649222-5	OJE-SS-112DM	12V	107-84030	OJE-SS-112DM,000G0	e
⑳	A	1649222-4	OJE-SH-112DM	12V	107-79010	OJE-SH-112DM,801	d
		1649222-3	OJE-SS-124DM	24V	107-79010	OJE-SS-124DM,801	c
		1649222-2	OJE-SS-112DM	12V	107-79018 (PAPER BOX)	OJE-SS-112DM,801P	b
Ⓔ	B	1649222-1	OJE-SS-112DM	12V	107-84031	OJE-SS-112DM,801	a
Ⓕ	FIG	TE PART NO	PART A	PART B	PACKING SPEC	DESCRIPTION	TYPE

FIG A

- PART "B" SHOULD FIT PART "A" AFTER CASE INSERTION PROCESS.
- NO SEALING MATERIAL DROP OUT BEYOND LINE "C"
- SEALING MATERIAL TO BE DROPPED IN HATCHED AREA AS SHOWN.
- LOT NO. SYSTEM AS FOLLOWING:



- TERMINAL DIMENSIONS BEFORE SOLDER DIP.
- FOR THE TIN-PLATING OF THE PINS: +0.1mm FOR WIDTH. THICKNESS AND DIAMETER +0.5mm FOR LENGTH.
- USED WELDED CONTACT & LASER MARKING.
- ADD LOT NO. SYSTEM AS FOLLOWING;



- I, DIGITS FOR DAY OF THE WEEK  
 1...MONDAY IN THIS WEEK;  
 2...TUESDAY IN THIS WEEK;  
 7...SUNDAY IN THIS WEEK  
 II, DIGITS FOR SHIFT OF THE DAY  
 1...DAY SHIFT IN THIS DAY;  
 2...NIGHT SHIFT IN THIS DAY;  
 III, ONE CHARACTER DISTINGUISH THE LINE IDENTITY, SUCH AS: A,B.....Z

MATERIAL	DESCRIPTION	ITEM
EPOXY RESIN	SEAL (BASE & BOBBIN)	15
JUEW	MAGNETIC WIRE	14
P.B.T	CASE	13
P.B.T	BASE	12
P.B.T	BOBBIN	11
C.P WIRE	COIL TERMINAL	10
P.P.S	CARD	9
Ag	MOVABLE CONTACT	8
Ag	NO.CONTACT	7
STEEL	HINGE SPRING	6
Cu ALLOY	NO.TERMINAL	5
Cu ALLOY	MOVABLE SPRING	4
STEEL	CORE	3
STEEL	ARMATURE	2
STEEL	YOKE	1

THIS DRAWING IS A CONTROLLED DOCUMENT.

DIMENSIONS: mm	TOLERANCES UNLESS OTHERWISE SPECIFIED:	DWN: Huang.Yunshou	TE Connectivity
0 PLC ± -	1 PLC ± -	CHK: Fu.Bo	
2 PLC ± -	3 PLC ± -	APVD: Zhang.Sunny	NAME: OJE-DM VA TYPE CUSTOMER DRAWING
4 PLC ± -	ANGLES ± -	PRODUCT SPEC: -	APPLICATION SPEC: -
MATERIAL: -	FINISH: -	SIZE: A3	CAGE CODE: 00779
		DRAWING NO: 1649222	RESTRICTED TO: -
		WEIGHT: 0	SCALE: 5:1
		CUSTOMER DRAWING	SHEET: 3 OF 3
			REV: F2